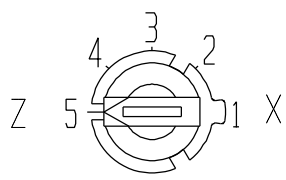
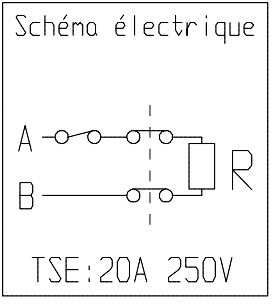
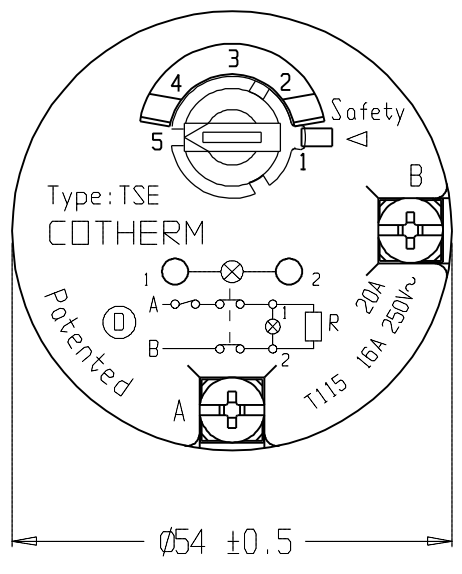
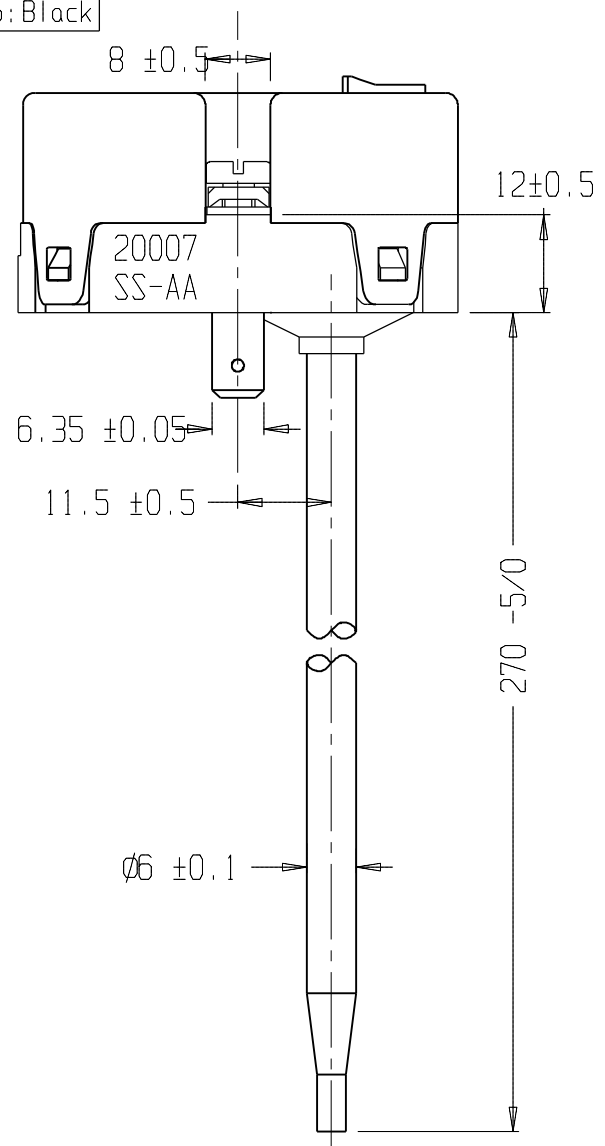
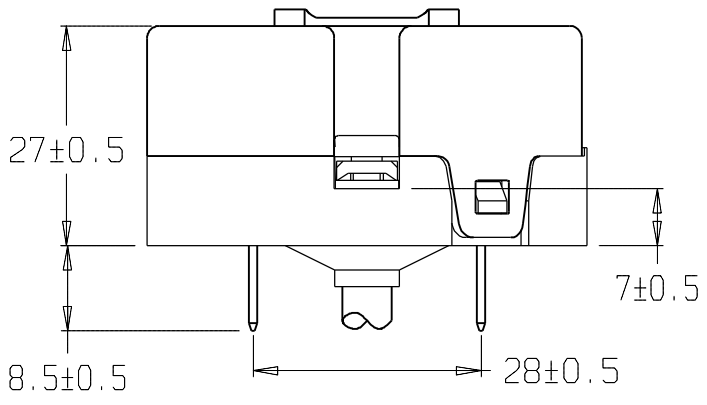


Cover: Without color
Adjustment knob: Black



preset in position: Z

	Angular pos / BB	Régulation °C	Diff °C
X	1	≈ 28	
Y			
Z	5	80 ±5	Approx 8
Safety		90 ±7 °C	

NORMS: Approvals DEMKO
EN60730-1 T115
EN60730-2-9
16A 250V ~

REF	MODIFICATION	N°: C11055	DATE	VISA	APPROVED	VISA
-----	DESIGNATION			<i>COTHERM</i>		
Scale: 1:1	SINGLE POLE THERMOSTAT WITH BIMETAL SAFETY CUT-OUT AND MANUAL RESET					
Drawn on:	23/03/11	By: L.G	<i>TSE20007</i>			
Approved:	23/03/11	By: B.R				