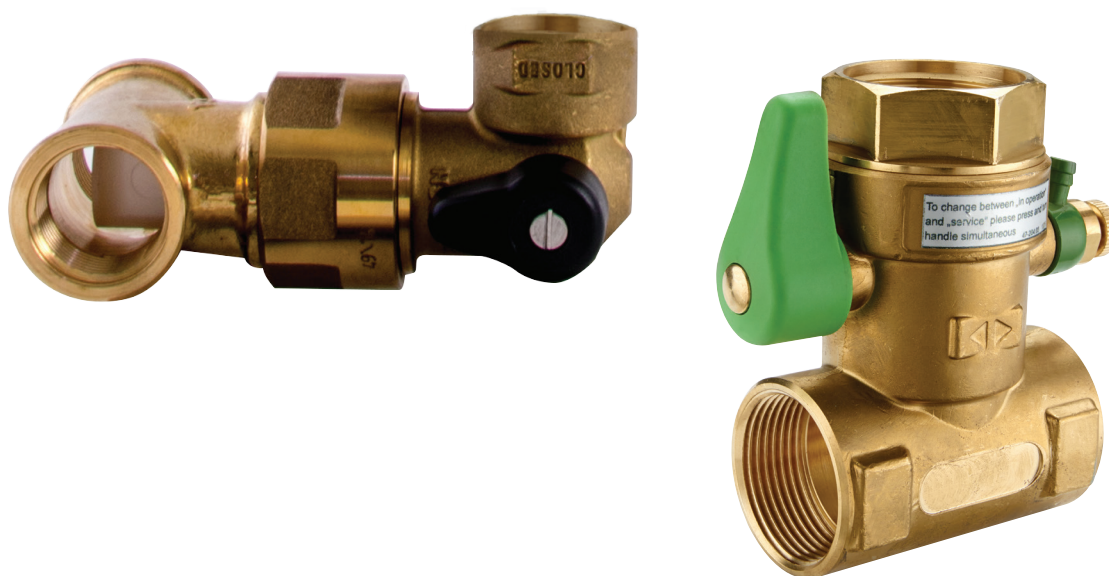




ANTI-LEGIONELLA VALVE

- ANTI100001 3/4" FBSP
- ANTI100005 1 1/4" FBSP



Overview

The Anti-legionella valve converts a standard single connection expansion vessel into a 'flow through' type. It does this by diverting a portion of the flow into the vessel so that the water content is continually renewed.

The 3/4" valve has a rotatable tee-piece to allow flexibility upon installation.



ANTI-LEGIONELLA VALVE

Features and Benefits

- Maintains circulation through an expansion vessel
- Prevents stagnation
- Easy to install
- Includes ball valve for simple maintenance
- Rotatable tee-piece - 3/4" version
- Can be used on any standard vessel with 3/4" or 1 1/4" connection (max wall mounting size 24L)
- 1/4" Drain plug

Specifications

Minimum working pressure	0.1bar
Maximum working pressure	10bar
Minimum temperature	6°C
Maximum temperature	70°C

Materials

Tee piece	DZR Brass
Body	DZR Brass
Ball valve	Hostaform
Internal O rings	EPDM

Approvals

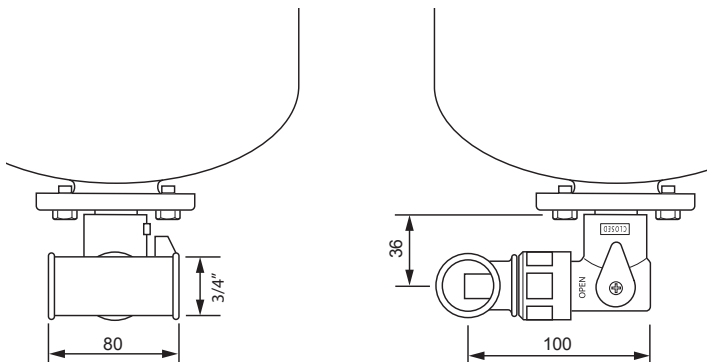
WRAS Approved

Typical Installation

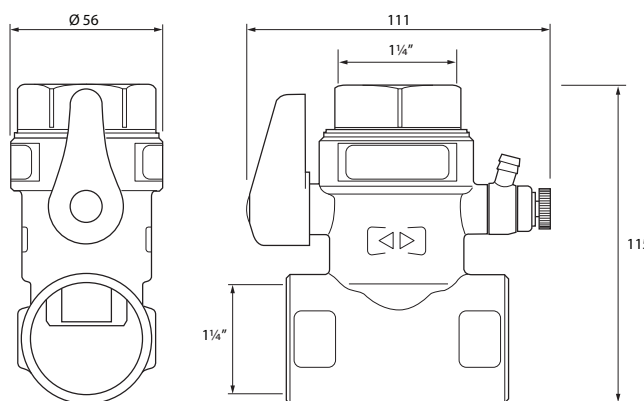


ANTI100001 shown in place on an expansion vessel (available separately, in a range of sizes)

Dimensions



ANTI100001
(shown in place, attached to vessel)



ANTI100005

All dimensions shown in mm unless otherwise stated



Reliance Worldwide Corporation (UK) Ltd,
Worcester Road, Evesham, Worcs. WR11 4RA, UK
Tel: +44 (0)1386 712400 Fax: +44 (0)1386 712401 Web: www.rwc.co.uk