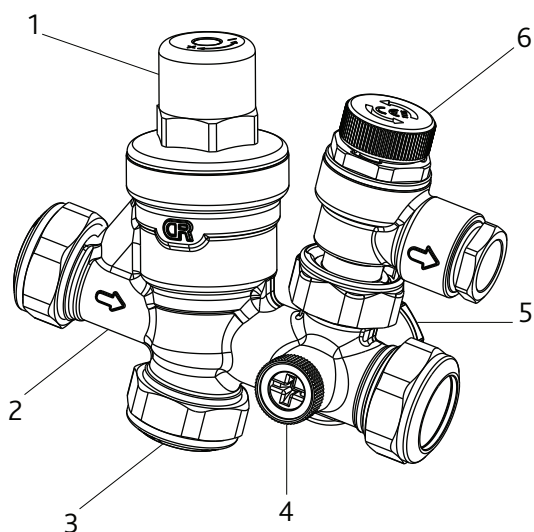


Series 533002 CST combined PRV and cold fill monobloc manifold assembly



Item	Component
1	Pressure Reducing Valve
2	Manifold Assembly
3	22mm Balanced Take Off
4	Gauge - PT Point
5	Connection for Expansion Vessel
6	Safety Relief Valve

Function

Pressure reducing valves (PRV) are installed in domestic water systems to reduce and stabilise the inlet pressure from the mains supply, which is generally too high and variable for domestic appliances to function properly.

Description

The unit comprises of a manifold containing a pressure reducing valve, a cold water balancing port with check valve, a check valve and a preset pressure relief valve.

The unit can be installed either horizontally or vertically with the PRV always first in line.

Installation

Carefully follow these instructions and ensure that the installation conforms to the Water Regulations.

Ensure that sufficient water pressure and flow rate are available.

Open fully all taps before installing the unit to flush the system and expel any air remaining in the pipes.

It is recommended that isolating valves are installed upstream and downstream to facilitate any future maintenance.

Install the unit with the embossed arrow on the manifold pointing in the direction of flow.

The black plug is a connection for a pressure gauge, which is available when specified.

Unscrewing the union nut and rotate the pressure relief valve to the required position

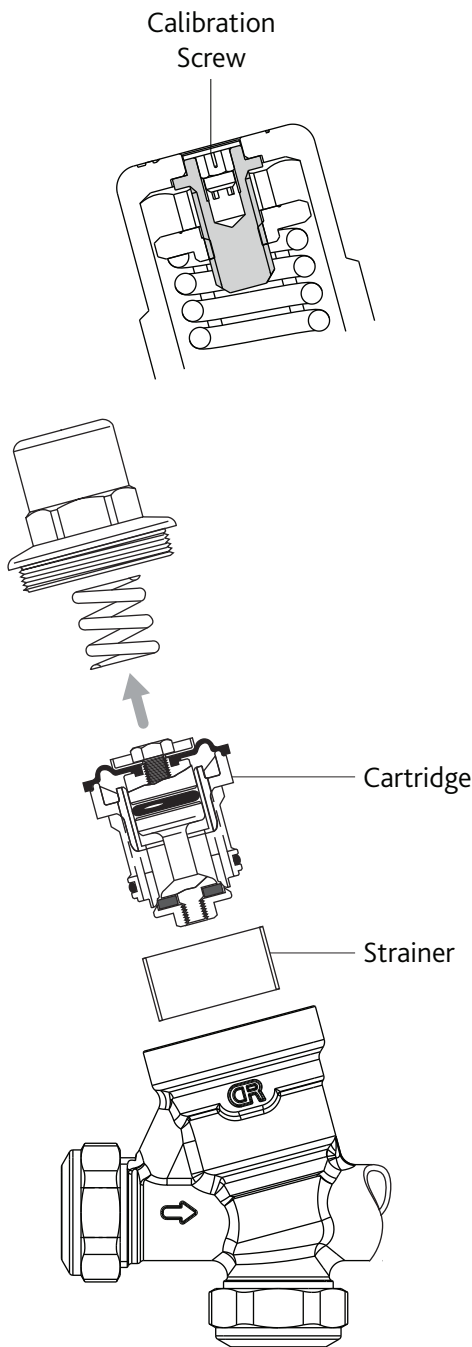
Ensure that the pressure relief valve discharge pipework has a continuous fall and terminates in such a position as not to cause injury.

The connection on the manifold contains a check valve and may be used as a balanced cold water supply. If not used fit the blanking piece supplied with the unit.

The connection on the manifold is used when an expansion vessel is required or may be used for a drain off. If not used fit the blanking piece supplied with the unit.

On the opposite side of the manifold to the pressure gauge connection, there is a plugged connection that may also be used for direct mounting to an expansion vessel if required.

Series 533002 CST combined PRV and cold fill monobloc manifold assembly



Calibration

Close the downstream isolating valve.

Using an Allen key adjust the outlet pressure by turning the calibration screw in the centre of the plastic cover.

Rotate it clockwise to increase the outlet pressure and anticlockwise to reduce it.

Maintenance and Servicing

Under normal circumstances the unit should not require any maintenance, but regular inspection and cleaning is recommended.

Isolate the water supply to the pressure reducing valve.

Unscrew anticlockwise the central calibration screw to decompress the spring.

Note: Caution should be exercised when disassembling the unit.

Remove the plastic cover using a spanner on the hexagon faces.

Extract the cartridge with the aid of long nosed pliers to grip the head of the set screw.

Remove the strainer element.

Clean the strainer element and cartridge under clean running water.

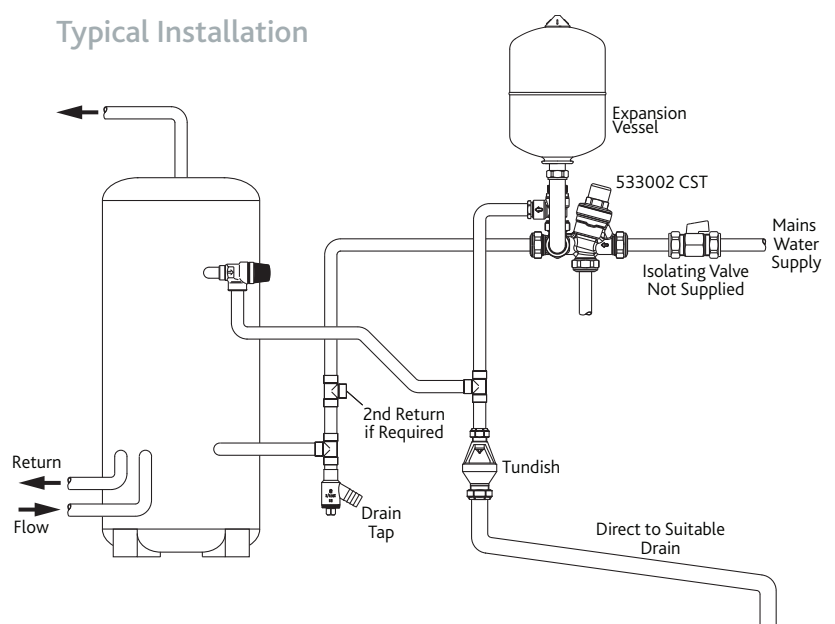
If the strainer or cartridge are damaged replace.

Refit the strainer, cartridge and cover.

Turn on the water supply and check for leakage.

Re-calibrate the pressure reducing valve.

Typical Installation



E & O.E

Altecnic Ltd Mustang Drive, Stafford, Staffordshire ST16 1GW

T: +44 (0)1785 218200 E: sales@altecnic.co.uk

Registered in England No: 2095101

altecnic.co.uk

IOM 041 08-08-13

altecnic